

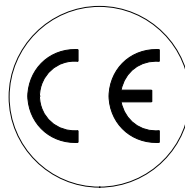


| | |
|---|-----------------|
| Manuale d'uso, manutenzione e parti di ricambio | Parte 2 |
| Use, maintenance and spare parts manual | Part 2 |
| Gebrauchsanweisung, Instandhaltungsrichtlinien und Ersatzteile | Teil 2 |
| Manuel d'utilisation, entretien et pièces de rechange | Partie 2 |
| Manual de uso, mantenimiento y repuestos | Part 2 |
| Manual de utilização, manutenção e partes sobresselentes | Parte 2 |
| Handleiding voor gebruik, onderhoud en reservedeelslste | Deel 2 |
| Brugsanvisning, vedligeholdelse og reservedeelslste | Del 2 |

53.4

cod. 10880400

10880400_534_8 100510 IV



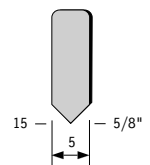
| Dati tecnici Technical data Technische daten | Données techniques Datos tècnicos | Dados tècnicos Technischegegevens Tecniske data |
|---|---|--|
| Misure impiegabili mm Usable lengths mm Gebrauchliche Längen mm | Mesures utilisable mm Medidas que se pueden emplear mm | Medidas que se podem utilizar mm Te gebruiken engtes in mm Brugbare laengder i mm |
| Capacità caricatore n° punti Magazine capacity No. of fasteners Magazinkapazität Nägel | Capacité chargeur n° de points Capacidad cargador n° puntos | Capacitade carregador n° pontos Capaciteit magazijn in aantal spijkers Kapacitet af magasin antal klemme |
| Pressione d'esercizio Working pressure Betriebsdruck | Pression de fonctionnement Presión de trabajo | Pressao de trabalho Werkdruk Arbejds tryk bar |
| Consumo aria litri/colpo Air consumption litres/shot Luftverbrauch Liter/Schlag | Consommation air litre/coup Consumo aire-litros/golpe | Consumo ar litro/golpe Luchtverbruik liter/schot Luftforbrug liter/skud |
| Peso kg Weight kg Gewicht kg | Poids kg Peso kg | Peso kg Gewicht in kg Vaegt kg |
| Dimensioni (AxBxH) mm Dimensions mm Große mm | Dimension mm Dimensiones mm | Dimencoes mm Afmetingen in mm Dimensioner mm |
| EN 12549 :1999 ISO 11201 :1995 | | |
| Pressione sonora in pos. operatore Sound pressure at the workstation Lärmintensität am Arbeitsplatz | Pression acoustique près de l'opérateur Presión sonora en posición encargado | Intensidade sonora perto do operador Geluidssterkte op de werkplek Lydstyrke på operatorposten |
| EN 12549 :1999 ISO 3744 :1994 | | |
| Potenza sonora emessa Emitted sound power Ausgestrahlte Lärmintensität | Puissance acoustique émise Potencia sonora emitida | Potência sonora emitida Uitgestraalde geluidssterkte Udsendt lydstryrke |
| ISO 5349 :1986 | | |
| Valore medio ponderato di vibrazione sull'impugnatura Weighted mean value of vibration on the grip Mittlerer Vibrationswert, am Griff Gemessen | Valeur moyenne pondérée de vibration mesurée sur la poignée Valor medio ponderado de vibracion medida en la empuñadura | Valor medio ponderado de vibracao medida no punho Gewogen gemiddelde vibratiewaarde Middelvaerdi af vibrationer pa handtaget |

Tipo di punto
Type of fastener
Befestigungselement
Type d'agrafe
Tipo de punto

Tipo de ponto
Type nietjes
Tilspændingstype

53

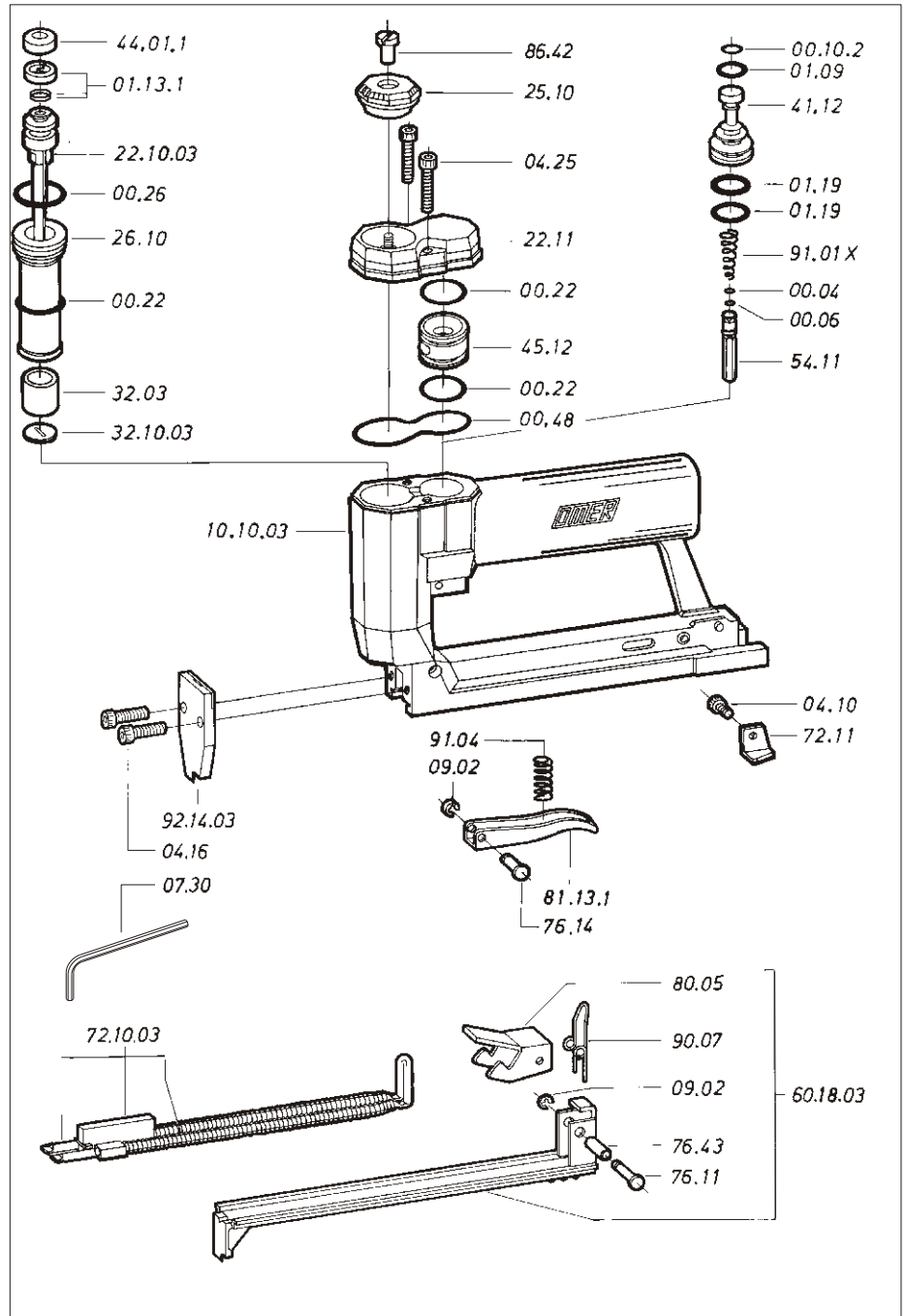
Spessore 0,35÷0,40



Width: .185" (3/16")
Length: .59"
Thickness: .0140"

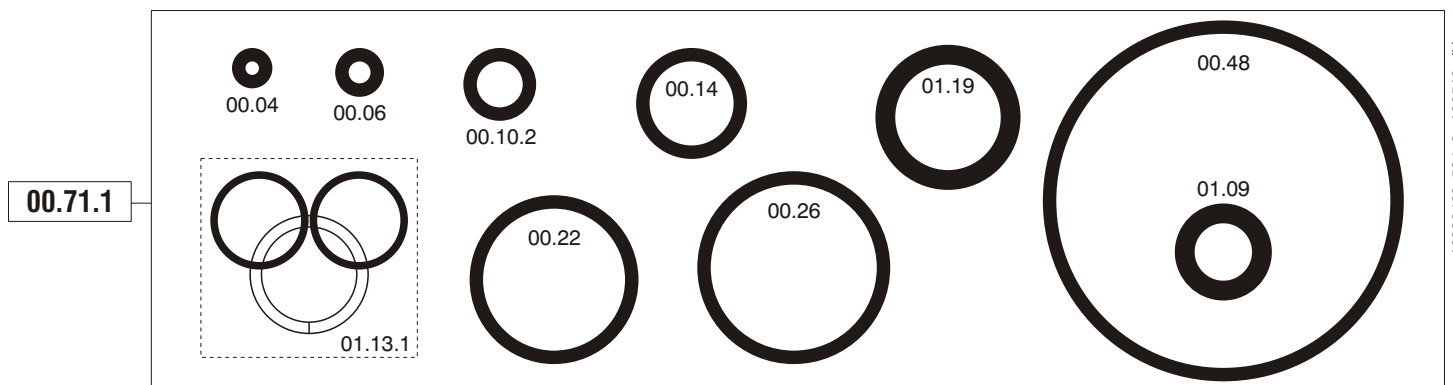
Parti di ricambio - Spare parts - Ersatzteile - Pièces de rechange - Piezas de repuesto
 - Partes sobresselentes - Tabel te raadplegen - Reservedele

| Cod. | Descrizione | Description |
|----------|--------------------|-------------------|
| 00.04 | O-Ring | O-Ring |
| 00.06 | O-Ring | O-Ring |
| 00.10.2 | O-Ring | O-Ring |
| 00.22 | O-Ring | O-Ring |
| 00.26 | O-Ring | O-Ring |
| 00.48 | O-Ring | O-Ring |
| 01.09 | O-Ring | O-Ring |
| 01.13.1 | Guarnizione | Gasket |
| 01.19 | O-Ring | O-Ring |
| 04.10 | Vite | Screw |
| 04.16 | Vite | Screw |
| 04.25 | Vite | Screw |
| 07.30 | Chiave esagonale | Hex. Bar wrench |
| 09.02 | Anello elastico | Elastic ring |
| 22.11 | Testa | Head |
| 25.10 | Deflettore | Exhaust deflector |
| 26.10 | Cilindro | Cylinder |
| 32.03 | Ammortizzatore | Bumper |
| 41.12 | Pistone valvola | Valve |
| 44.01.1 | Ammortizzatore | Bumper |
| 45.12 | Anello valvola | Ring |
| 54.11 | Pulsante | Trigger valve |
| 72.11 | Fermo carrello | Slider stop |
| 76.11 | Perno | Pin |
| 76.14 | Perno | Pin |
| 76.43 | Perno | Pin |
| 80.05 | Grilletto chiusura | Trigger |
| 81.13.1 | Grilletto comando | Trigger |
| 86.42 | Vite deflettore | Deflector screw |
| 90.07 | Molla | Spring |
| 91.01X | Molla | Spring |
| 91.04 | Molla | Spring |
| 10.10.03 | Corpo | Body |
| 22.10.03 | Battente | Driver |
| 32.10.03 | Rondella | Washer |
| 60.18.03 | Carrello | Slider |
| 72.10.03 | Spingipunto | Pusher |
| 92.14.03 | Testina | Nose plate |



Guarnizioni - O-Rings - Dichtungen - Joints - Kit O-Rings -

- Kit O-Rings - O-ringen - Pakninger



10880400_534_B 100510 IV

53.4

cod. 10880400

Indice di modifica
 Upgrade number

8